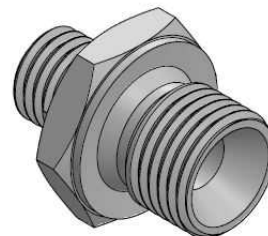
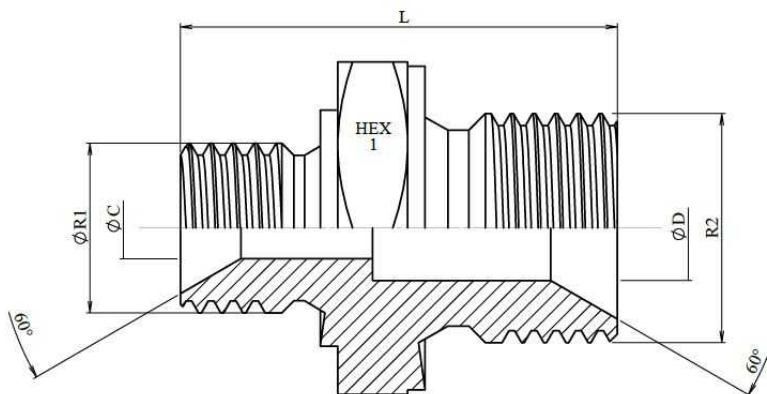


Reducer adaptor BSP male-BSP male (60°)

Carbon steel



Part nº	R1	R2	L	HEX 1	ØC	ØD
A10200204	1/8" BSP	1/4" BSP	25	17	3,5	6
A10200206	1/8" BSP	3/8" BSP	26	22	3,5	8
A10200406	1/4" BSP	3/8" BSP	32	22	6	8
A10200408	1/4" BSP	1/2" BSP	34	27	6	11
A10200608	3/8" BSP	1/2" BSP	38	27	8	11
A10200612	3/8" BSP	3/4" BSP	40	32	8	16
A10200812	1/2" BSP	3/4" BSP	43,5	32	11	16
A10200816	1/2" BSP	1" BSP	46,5	41	11	22
A10201008	5/8" BSP	1/2" BSP	44	30	14	11
A10201012	5/8" BSP	3/4" BSP	45	32	14	16
A10201216	3/4" BSP	1" BSP	48	41	16	22
A10201220	3/4" BSP	1"1/4" BSP	51	50	16	28,5
A10201620	1" BSP	1"1/4" BSP	56	50	22	28,5
A10201624	1" BSP	1"1/2" BSP	58	55	22	33
A10202024	1"1/4" BSP	1"1/2" BSP	62	55	28,5	33
A10202032	1"1/4" BSP	2" BSP	64	70	28,5	46
A10202432	1"1/2" BSP	2" BSP	66	70	33	46
A10203240	2" BSP	2" 1/2" BSP	72	85	46	55
A10203248	2" BSP	3" BSP	85	100	46	64
A10204048	2" 1/2" BSP	3" BSP	85	100	55	64